

Airmesh® Molded Grating



Overview

Originally designed to meet specific US Navy requirements for air intake screens on ships, Airmesh is now available for use in marine and general industrial applications. Airmesh is a 1/2" deep, 1-1/2" square mesh screening product with 1/8" thick load bars. It is available in 4'x 8' panels and is a non-load carrying product. This advanced screening product features an 87% open area, allowing generous airflow. For personnel safety, the grating has a sanded smooth surface and tight mesh which prevents contact with fan blades or other moving equipment.

Lightweight and rigid, Airmesh is easily installed, requiring only an abrasive cutting wheel or hacksaw to field cut for a custom fit. Because of its FRP construction, Airmesh is low maintenance and never requires sandblasting, scraping or painting.

Benefits



Corrosion Resistant: Fibergate® molded fiberglass products are known for their ability to provide corrosion resistance in the harshest environments and chemical exposures.



Low Maintenance: The corrosion resistant properties of FRP grating and other products reduce or eliminate the need for sandblasting, scraping and painting. Products are also easily cleaned with a high pressure washer.

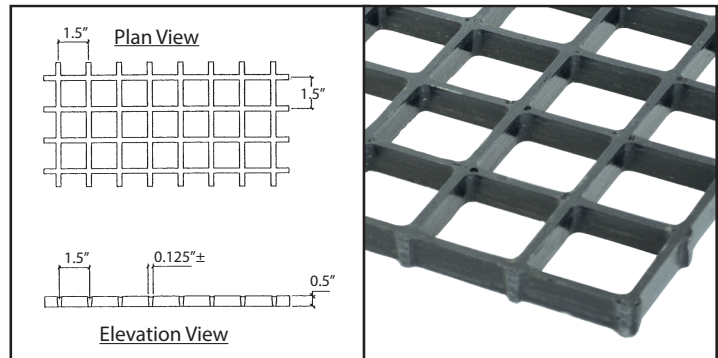


Fire Retardant: Most of Fibergate's products are engineered to have a flame spread rating of 25 or less, as tested in accordance with ASTM E-84, and meet the self-extinguishing requirements of ASTM D-635.

AirMesh Applications

- Air Duct Screens
- Wall Fan Screens
- Pump Screen Barrier
- Electrical Equipment Screen Barrier

# of Bars/ Ft of Width	Load Bar Width	Open Area	Load Bar Centers	Approximate Weight
8	1/8"	87%	1-1/2"	0.8 psf



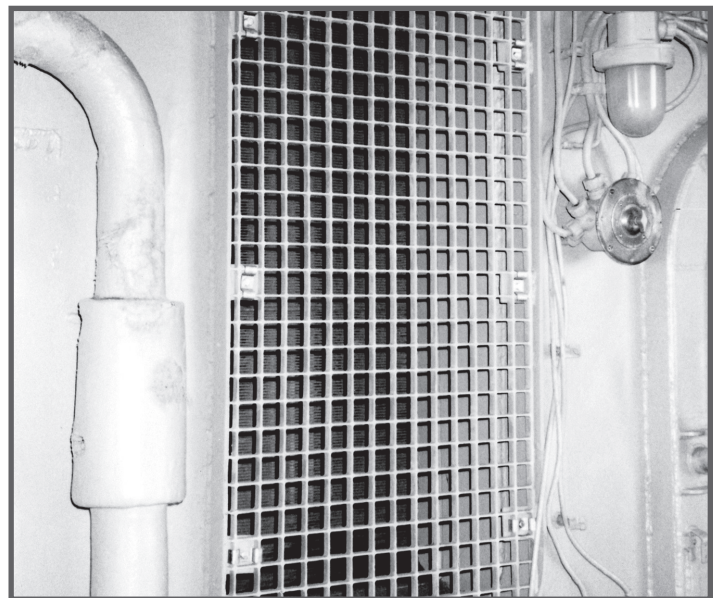
Designed for screening applications/is a non-carrying load product

Resin Selection

FGI-AM® - Food grade isophthalic polyester resin designed for food processing applications. Colors: Light gray or dark green

Corvex® - Economy polyester resin for applications where mild corrosives exist. Colors: Yellow, dark gray or dark green

ELS - Provides both low flame spread and low smoke generating characteristics. Color: Light gray



Phone: 972-250-1633
Fax: 972-250-1530

www.fibergate.com

info@fibergate.com

Fibergate Composite Structures Inc. believes the information contained here to be true and accurate. Fibergate makes no warranty, expressed or implied based on this literature and assumes no responsibility for consequential or incidental damages in the use of these products and systems described, including any warranty of merchantability or fitness. Information contained here is for evaluation only.
©Fibergate Inc. 2015-05/15-Airmesh.pdf

